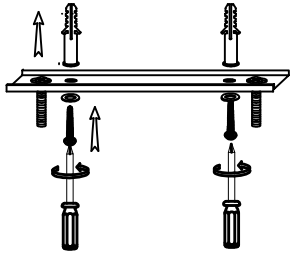
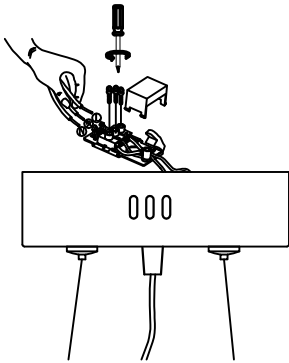


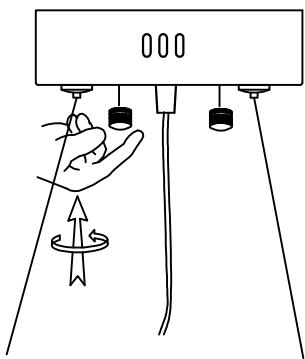
①



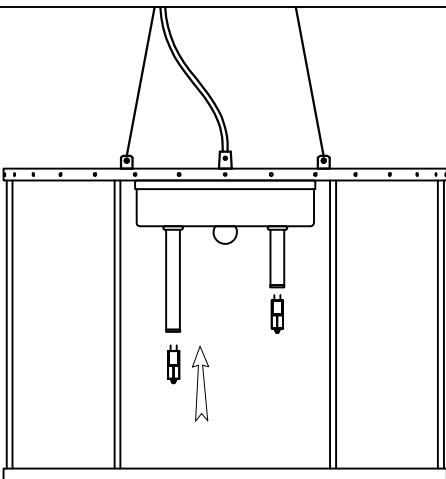
②



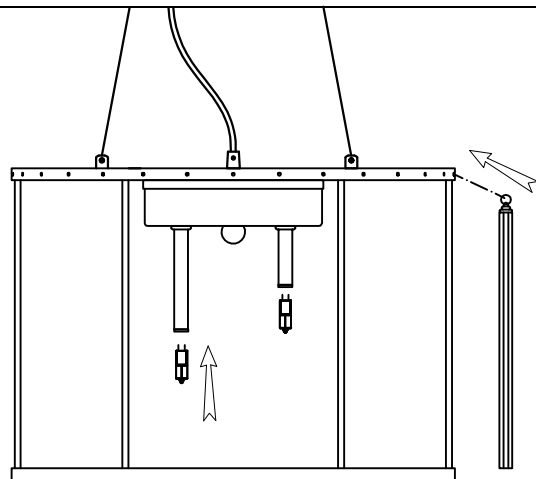
③



④



⑤



KR371

000

EAC

