

# LASVIT Technical Sheet

---

## LOLLIPOP COLLECTION

**DESIGNER:** Boris Klimek

**YEAR OF DESIGN:** 2016

**MATERIAL:** Artistic Fused Clear Glass

Ever peered into the sun through a green glass bottle? Or enjoyed a slightly distorted reality through a colored lens? The Lollipop collection is based on similar moments of fascination with transparency and perception. Lasvit designer Boris Klimek experimented with the technique of slumped glass, exploring its wide possibilities in terms of glass coloring, glint and internal structure. Made of amorphous glass plates, combined with the metal holder and inserted light source, the resulting objects are reminiscent of lollipops. The Lollipop collection consists of table and floor lamps, as well as pendant lights.



# LASVIT Technical Sheet

---

## LOLLIPOP COLLECTION

---

### PACKAGING

#### **Lollipop Pendant A, B, C**

Size: 775 × 610 × 210 mm

Total weight: 12, 8, 11 kg

#### **Lollipop Floor Lamp AF**

Size: 775 × 610 × 210 mm

377 × 377 × 916 mm

Total weight: 24 kg

#### **Lollipop Pendant D**

Size: 550 × 480 × 210 mm

Total weight: 5 kg

#### **Lollipop TL DF**

Size: 550 × 480 × 210 mm

280 × 280 × 304 mm

Total weight: 13kg

#### **Lollipop Floor Lamp BF**

Size: 775 × 610 × 210 mm

377 × 377 × 1246 mm

Total weight: 20 kg

#### **Lollipop TL BF**

Size: 775 × 610 × 210 mm

280 × 280 × 391 mm

Total weight: 13 kg

---

# LASVIT Technical Sheet

---

## LOLLIPOP COLLECTION

---

### TECHNICAL DETAILS LOLLIPOP A/B/C/D

---

Type	CE	UL
Light source	1 × LED G9, Paulmann, 3W, 2700K 300 Lumens CRI 80	1 × LED G9, EA, 4,5W, 2700K 450 Lumens CRI 90
Input voltage	230V/50Hz	120V/60Hz
Rated power	3W	3W
Cord color	white	transparent
Cord length	2000mm/78¾", longer cord is available, contact your sale person	
Metal finish	white matt	
Prot. rating	IP 20	
Safety class	CLASS I	

# LASVIT Technical Sheet

---

## LOLLIPOP COLLECTION

---

### TECHNICAL DETAILS TABLE LAMP DF/BF

---

Type	CE	UL
Light source	1 × LED G9, Paulmann, 3W, 2700K 300 Lumens CRI 80	1 × LED G9, EA, 4,5W, 2700K 450 Lumens CRI 90
Input voltage	230V/50Hz	120V/60Hz
Rated power	3W	3W
Cord color	white	
Metal finish	white matt	
Prot. rating	IP 20	
Safety class	CLASS I	

# LASVIT Technical Sheet

---

## LOLLIPOP COLLECTION

---

### TECHNICAL DETAILS FLOOR LAMP AF/BF

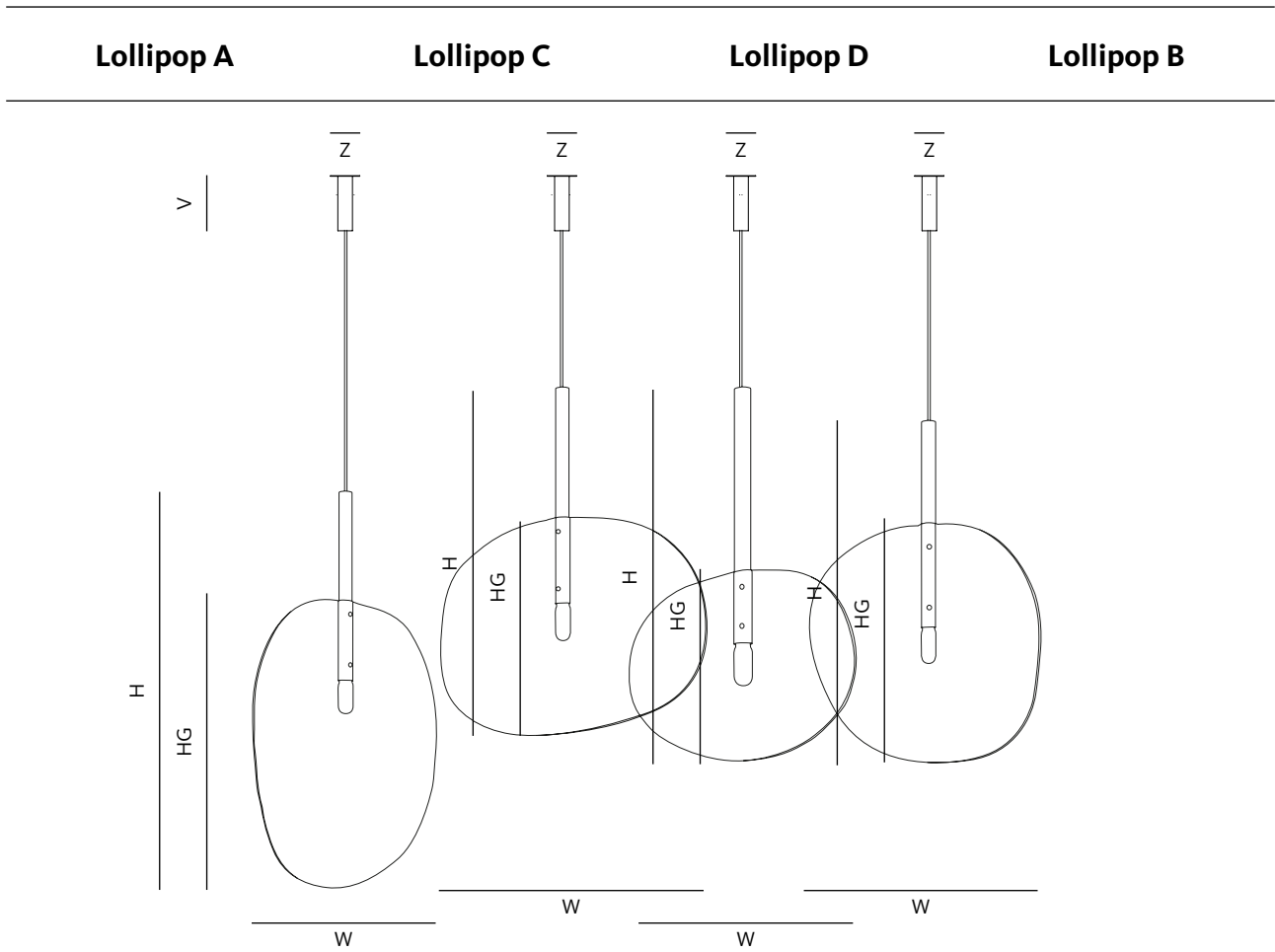
---

Type	CE	UL
Light source	1 × LED G9, Paulmann, 3W, 2700K 300 Lumens CRI 80	1 × LED G9, EA, 4,5W, 2700K 450 Lumens CRI 90
Input voltage	230V/50Hz	120V/60Hz
Rated power	3W	4,5W
Cord color	white	
Cord length	3000mm/118 <sup>1</sup> / <sub>8</sub> "	
Metal finish	white matt	
Prot. rating	IP 20	
Safety class	CLASS I	

# LASVIT Technical Sheet

## LOLLIPOP COLLECTION

### TECHNICAL DRAWING



Name	W (mm/inch)	H/+OH (mm/inch)	H(glass)(mm/inch)	Z	V
<b>Lollipop A</b>	455/17 <sup>5</sup> / <sub>16</sub> "	830/32 <sup>11</sup> / <sub>16</sub> ", max. OH 5000/196 <sup>7</sup> / <sub>8</sub> "	650/25 <sup>9</sup> / <sub>16</sub> "	80/4 <sup>5</sup> / <sub>16</sub> "	150/5"
<b>Lollipop B</b>	490/19 <sup>5</sup> / <sub>16</sub> "	735/28 <sup>15</sup> / <sub>16</sub> ", max. OH 5000/196 <sup>7</sup> / <sub>8</sub> "	507/19 <sup>15</sup> / <sub>16</sub> "	80/4 <sup>5</sup> / <sub>16</sub> "	150/5"
<b>Lollipop C</b>	650/25 <sup>9</sup> / <sub>16</sub> "	730/28 <sup>3</sup> / <sub>4</sub> ", max. OH 5000/196 <sup>7</sup> / <sub>8</sub> "	455/17 <sup>5</sup> / <sub>16</sub> "	80/4 <sup>5</sup> / <sub>16</sub> "	150/5"

# LASVIT Technical Sheet

---

## LOLLIPOP COLLECTION

---

### TECHNICAL DRAWING

<b>Name</b>	<b>W (mm/inch)</b>	<b>H/+OH (mm/inch)</b>	<b>H(glass)(mm/inch)</b>	<b>Z</b>	<b>V</b>
<b>Lollipop D</b>	400/15 <sup>3</sup> / <sub>4</sub> "	657/25 <sup>7</sup> / <sub>8</sub> ", max. OH 5000/196 <sup>7</sup> / <sub>8</sub> "	335/13 <sup>3</sup> / <sub>16</sub> "	80/4 <sup>5</sup> / <sub>16</sub> "	150/5"

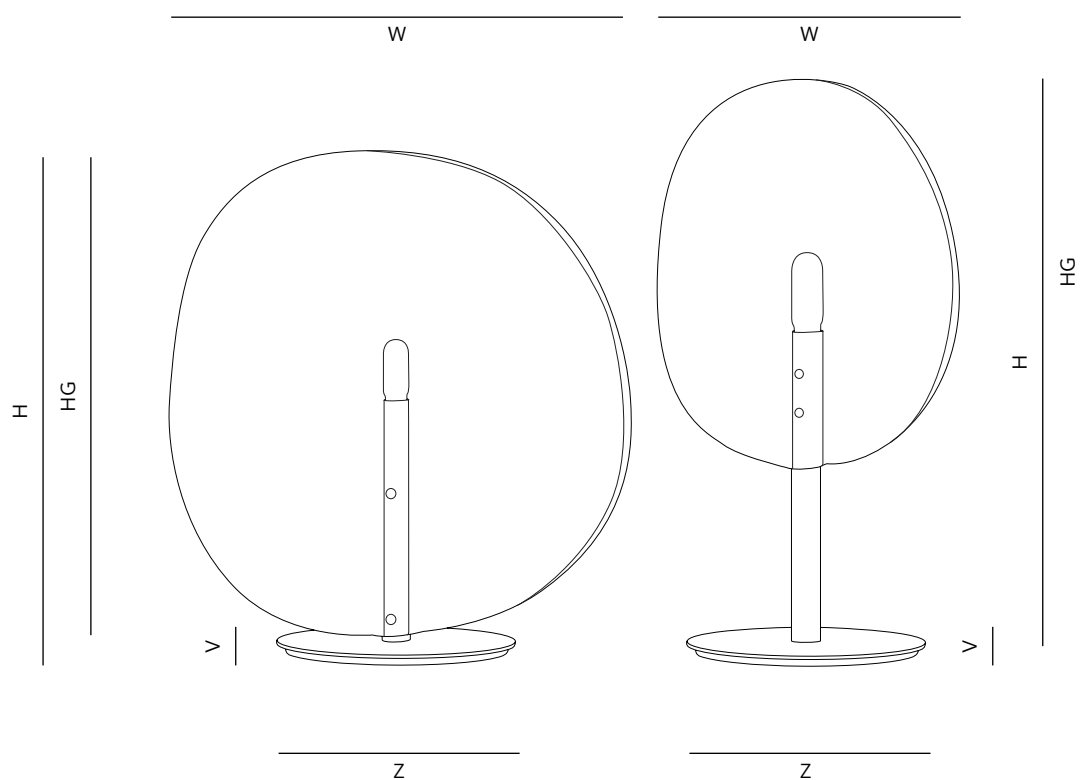
# LASVIT Technical Sheet

## LOLLIPOP COLLECTION

### TECHNICAL DRAWING TABLE LAMP

Lollipop Table Lamp BF

Lollipop Table Lamp DF



Name	W (mm/inch)	H (mm/inch)	H(glass)(mm/inch)	Z	V
Lollipop Table Lamp DF	335/13 <sup>3</sup> / <sub>16</sub> "	620/24 <sup>7</sup> / <sub>16</sub> "	402/15 <sup>13</sup> / <sub>16</sub> "	250/ 9 <sup>13</sup> / <sub>16</sub> "	17/ <sup>11</sup> / <sub>16</sub> "
Lollipop Table Lamp BF	490/19 <sup>5</sup> / <sub>16</sub> "	540/21 <sup>1</sup> / <sub>4</sub> "	506/15 <sup>13</sup> / <sub>16</sub> "	250/ 9 <sup>13</sup> / <sub>16</sub> "	17/ <sup>11</sup> / <sub>16</sub> "



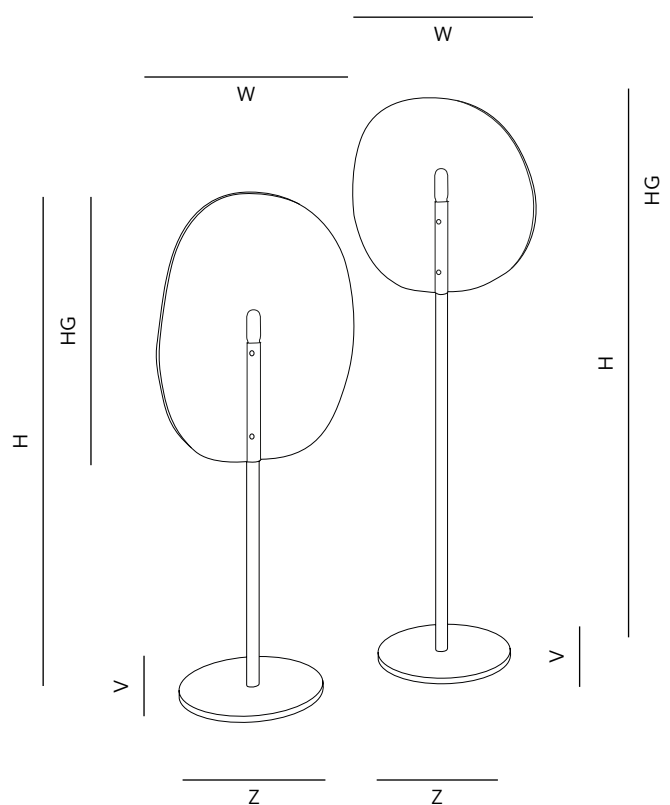
# LASVIT Technical Sheet

## LOLLIPOP COLLECTION

### TECHNICAL DRAWING FLOOR LAMP

Lollipop Floor Lamp AF

Lollipop Floor Lamp BF



Name	W (mm/inch)	H (mm/inch)	H(glass)(mm/inch)	Z	V
Lollipop Floor Lamp BF	490/19 <sup>5</sup> / <sub>16</sub> "	1470/57 <sup>7</sup> / <sub>8</sub> "	507/19 <sup>5</sup> / <sub>16</sub> "	350/13 <sup>3</sup> / <sub>4</sub> "	17/1 <sup>1</sup> / <sub>16</sub> "
Lollipop Floor Lamp AF	450/17 <sup>3</sup> / <sub>4</sub> "	1240/48 <sup>13</sup> / <sub>16</sub> "	649/25 <sup>5</sup> / <sub>16</sub> "	350/13 <sup>3</sup> / <sub>4</sub> "	17/1 <sup>1</sup> / <sub>16</sub> "

# LASVIT Technical Sheet

<b>Name</b>	<b>Type of Glass</b>	<b>Item ID – CE</b>	<b>Item ID – CE</b>	<b>Weight (approx.)</b>
<b>LOLLIPOP - Pendant A / clear</b>	Fused color glass	CL025PA-1CE00- 0110S1	CL025PA-1UL00- 0110S1	8kg/18lbs
<b>LOLLIPOP - Pendant A / light pink</b>	Fused color glass	CL025PA-1CE00- 1110S1	CL025PA-1UL00- 1110S1	8kg/18lbs
<b>LOLLIPOP - Pendant A / orange</b>	Fused color glass	CL025PA-1CE00- 1210S1	CL025PA-1UL00- 1210S1	8kg/18lbs
<b>LOLLIPOP - Pendant A / light brown</b>	Fused color glass	CL025PA-1CE00- 1310S1	CL025PA-1UL00- 1310S1	8kg/18lbs
<b>LOLLIPOP - Pendant A / turquoise</b>	Fused color glass	CL025PA-1CE00- 1410S1	CL025PA-1UL00- 1410S1	8kg/18lbs
<b>LOLLIPOP - Pendant A / light amber</b>	Fused color glass	CL025PA-1CE00- 0410S1	CL025PA-1UL00- 0410S1	8kg/18lbs
<b>LOLLIPOP - Pendant A / light blue</b>	Fused color glass	CL025PA-1CE00- 1510S1	CL025PA-1UL00- 1510S1	8kg/18lbs
<b>LOLLIPOP - Pendant B / clear</b>	Fused color glass	CL025PB-1CE00- 0110S1	CL025PB-1UL00- 0110S1	4kg/9lbs
<b>LOLLIPOP - Pendant B/ light pink</b>	Fused color glass	CL025PB-1CE00- 1110S1	CL025PB-1UL00- 1110S1	4kg/9lbs

# LASVIT Technical Sheet

<b>Name</b>	<b>Type of Glass</b>	<b>Item ID – CE</b>	<b>Item ID – CE</b>	<b>Weight (approx.)</b>
<b>LOLLIPOP - Pendant B / orange</b>	Fused color glass	CL025PB-1CE00- 1210S1	CL025PB-1UL00- 1210S1	4kg/9lbs
<b>LOLLIPOP - Pendant B / light brown</b>	Fused color glass	CL025PB-1CE00- 1310S1	CL025PB-1UL00- 1310S1	4kg/9lbs
<b>LOLLIPOP - Pendant B / turquoise</b>	Fused color glass	CL025PB-1CE00- 1410S1	CL025PB-1UL00- 1410S1	4kg/9lbs
<b>LOLLIPOP - Pendant B / light amber</b>	Fused color glass	CL025PB-1CE00- 0410S1	CL025PB-1UL00- 0410S1	4kg/9lbs
<b>LOLLIPOP - Pendant B / light blue</b>	Fused color glass	CL025PB-1CE00- 1510S1	CL025PB-1UL00- 1510S1	4kg/9lbs
<b>LOLLIPOP - Pendant C / clear</b>	Fused color glass	CL025PC-1CE00- 0110S1	CL025PC-1UL00- 0110S1	7kg/15lbs
<b>LOLLIPOP - Pendant C/ light pink</b>	Fused color glass	CL025PC-1CE00- 1210S1	CL025PC-1UL00- 1210S1	7kg/15lbs
<b>LOLLIPOP - Pendant C/ orange</b>	Fused color glass	CL025PC-1CE00- 1210S1	CL025PC-1UL00- 1210S1	7kg/15lbs
<b>LOLLIPOP - Pendant C / light brown</b>	Fused color glass	CL025PC-1CE00- 1310S1	CL025PC-1UL00- 1310S1	7kg/15lbs

# LASVIT Technical Sheet

<b>Name</b>	<b>Type of Glass</b>	<b>Item ID – CE</b>	<b>Item ID – CE</b>	<b>Weight (approx.)</b>
<b>LOLLIPOP - Pendant C / turquoise</b>	Fused color glass	CL025PC-1CE00- 1410S1	CL025PC-1UL00- 1410S1	7kg/15lbs
<b>LOLLIPOP - Pendant C / light amber</b>	Fused color glass	CL025PC-1CE00- 0410S1	CL025PC-1UL00- 0410S1	7kg/15lbs
<b>LOLLIPOP - Pendant C / light blue</b>	Fused color glass	CL025PC-1CE00- 1510S1	CL025PC-1UL00- 1510S1	7kg/15lbs
<b>LOLLIPOP - Pendant D / clear</b>	Fused color glass	CL025PD-1CE00- 0110S1	CL025PD-1UL00- 0110S1	2kg/4lbs
<b>LOLLIPOP - Pendant D/ light pink</b>	Fused color glass	CL025PD-1CE00- 1110S1	CL025PD-1UL00- 1110S1	2kg/4lbs
<b>LOLLIPOP - Pendant D/ orange</b>	Fused color glass	CL025PD-1CE00- 1210S1	CL025PD-1UL00- 1210S1	2kg/4lbs
<b>LOLLIPOP - Pendant D / light brown</b>	Fused color glass	CL025PD-1CE00- 1310S1	CL025PD-1UL00- 1310S1	2kg/4lbs
<b>LOLLIPOP - Pendant D / turquoise</b>	Fused color glass	CL025PD-1CE00- 1410S1	CL025PD-1UL00- 1410S1	2kg/4lbs
<b>LOLLIPOP - Pendant D / light amber</b>	Fused color glass	CL025PD-1CE00- 0410S1	CL025PD-1UL00- 0410S1	2kg/4lbs

# LASVIT Technical Sheet

<b>Name</b>	<b>Type of Glass</b>	<b>Item ID – CE</b>	<b>Item ID – CE</b>	<b>Weight (approx.)</b>
<b>LOLLIPOP - Pendant D / light blue</b>	Fused color glass	CL025PD-1CE00- 1510S1	CL025PD-1UL00- 1510S1	2kg/4lbs
<b>Table Lamp DF / clear</b>	Fused color glass	CL025TB-1CE00- 0110S1	CL025TB-1UL00- 0110S1	10kg/24lbs
<b>Table Lamp DF / light pink</b>	Fused color glass	CL025TB-1CE00- 1110S1	CL025TB-1UL00- 1110S1	10kg/24lbs
<b>Table Lamp DF / orange</b>	Fused color glass	CL025TB-1CE00- 1210S1	CL025TB-1UL00- 1210S1	10kg/24lbs
<b>Table Lamp DF / light brown</b>	Fused color glass	CL025TB-1CE00- 1310S1	CL025TB-1UL00- 1310S1	10kg/24lbs
<b>Table Lamp DF / turquoise</b>	Fused color glass	CL025TB-1CE00- 1410S1	CL025TB-1UL00- 1410S1	10kg/24lbs
<b>Table Lamp DF / light amber</b>	Fused color glass	CL025TB-1CE00- 0410S1	CL025TB-1UL00- 0410S1	10kg/24lbs
<b>Table Lamp DF / light blue</b>	Fused color glass	CL025TB-1CE00- 1510S1	CL025TB-1UL00- 1510S1	10kg/24lbs
<b>Table Lamp BF / clear</b>	Fused color glass	CL025TA-1CE00- 0110S1	CL025TA-1UL00- 0110S1	9kg/20lbs

# LASVIT Technical Sheet

<b>Name</b>	<b>Type of Glass</b>	<b>Item ID – CE</b>	<b>Item ID – CE</b>	<b>Weight (approx.)</b>
<b>Table Lamp BF / light pink</b>	Fused color glass	CL025TA-1CE00- 1110S1	CL025TA-1UL00- 1110S1	9kg/20lbs
<b>Table Lamp BF / orange</b>	Fused color glass	CL025TA-1CE00- 1210S1	CL025TA-1UL00- 1210S1	9kg/20lbs
<b>Table Lamp BF / light brown</b>	Fused color glass	CL025TA-1CE00- 1310S1	CL025TA-1UL00- 1310S1	9kg/20lbs
<b>Table Lamp BF / turquoise</b>	Fused color glass	CL025TA-1CE00- 1410S1	CL025TA-1UL00- 1410S1	9kg/20lbs
<b>Table Lamp BF / light amber</b>	Fused color glass	CL025TA-1CE00- 0410S1	CL025TA-1UL00- 0410S1	9kg/20lbs
<b>Table Lamp BF / light blue</b>	Fused color glass	CL025TA-1CE00- 1510S1	CL025TA-1UL00- 1510S1	9kg/20lbs
<b>Floor Lamp BF / clear</b>	Fused color glass	CL025FB-1CE00- 0110S1	CL025FB-1UL00- 0110S1	16kg/35lbc
<b>Floor Lamp BF / light pink</b>	Fused color glass	CL025FB-1CE00- 1110S1	CL025FB-1UL00- 1110S1	16kg/35lbc
<b>Floor Lamp BF / orange</b>	Fused color glass	CL025FB-1CE00- 1210S1	CL025FB-1UL00- 1210S1	16kg/35lbc

# LASVIT Technical Sheet

<b>Name</b>	<b>Type of Glass</b>	<b>Item ID – CE</b>	<b>Item ID – CE</b>	<b>Weight (approx.)</b>
<b>Floor Lamp BF / light brown</b>	Fused color glass	CL025FB-1CE00-1310S1	CL025FB-1UL00-1310S1	16kg/35lbc
<b>Floor Lamp BF / turquoise</b>	Fused color glass	CL025FB-1CE00-1410S1	CL025FB-1UL00-1410S1	16kg/35lbc
<b>Floor Lamp BF / light amber</b>	Fused color glass	CL025FB-1CE00-0410S1	CL025FB-1UL00-0410S1	16kg/35lbc
<b>Floor Lamp BF / light blue</b>	Fused color glass	CL025FB-1CE00-1510S1	CL025FB-1UL00-1510S1	16kg/35lbc
<b>Floor Lamp AF / clear</b>	Fused color glass	CL025FA-1CE00-0110S1	CL025FA-1UL00-0110S1	20kg/44lbc
<b>Floor Lamp AF / light pink</b>	Fused color glass	CL025FA-1CE00-1110S1	CL025FA-1UL00-1110S1	20kg/44lbc
<b>Floor Lamp AF/ orange</b>	Fused color glass	CL025FA-1CE00-1210S1	CL025FA-1UL00-1210S1	20kg/44lbc
<b>Floor Lamp AF / light brown</b>	Fused color glass	CL025FA-1CE00-1310S1	CL025FA-1UL00-1310S1	20kg/44lbc
<b>Floor Lamp AF / turquoise</b>	Fused color glass	CL025FA-1CE00-1410S1	CL025FA-1UL00-1410S1	20kg/44lbc

# LASVIT Technical Sheet

<b>Name</b>	<b>Type of Glass</b>	<b>Item ID – CE</b>	<b>Item ID – CE</b>	<b>Weight (approx.)</b>
<b>Floor Lamp AF / light amber</b>	Fused color glass	CL025FA-1CE00- 0410S1	CL025FA-1UL00- 0410S1	20kg/44lbc
<b>Floor Lamp AF / light blue</b>	Fused color glass	CL025FA-1CE00- 1510S1	CL025FA-1UL00- 1510S1	20kg/44lbc

**EACH LASVIT COLLECTION IS UNIQUE BECAUSE IT IS COMPLETELY HANDCRAFTED.  
TINY BUBBLES AND OTHER IRREGULARITIES MAY OCCUR DUE TO THE NATURE  
OF THE HIGH QUALITY GLASS-BLOWING TECHNIQUE**