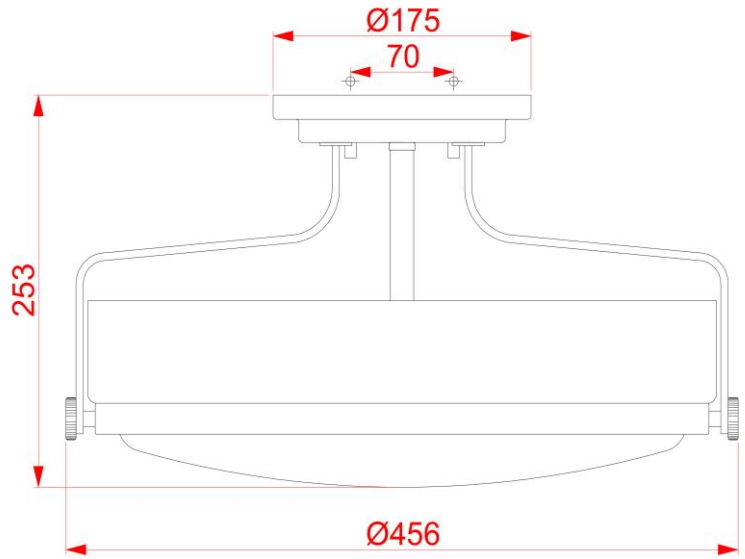


BRAND: Harper

STYLE: Medium Semi-Flush



1. Item Code	HK/HARPER/SFM HB	23. Maximum Drop	-
2. Drawing No.	pd-hkharpersfmhb	24. Adjustable?	No
3. Tested?	No	25. Shade/Glass Material	White Etched Glass
4. Final Sign-off Sample Done?	Yes	26. Shade Width (mm)	426
5. Category	Indoor	27. Shade Height (mm)	120
6. Type	Medium Semi-Flush	28. Shade Depth (mm)	120
7. Finish	Heritage Brass	29. Size of Back-Plate/Ceiling Rose (mm)	175
8. IP Rating	-	30. Main Material	Steel & Glass
9. Class	I	31. Power Cable Core and Colour	2 core – Black
10. Voltage	240	32. Power Cable Length (mm)	203
11. Wattage (1)	3 x max 60w	33. Chain Length (mm)	-
12. Wattage (2)	-	34. Rod Length (mm)	-
13. Lamp Holder Type (1)	3 x E27	35. PIR	-
14. Lamp Holder Type (2)	-	36. Switch Type and location	-
15. No. of Lamps	3	37. Connection Method	Terminal block
16. Lamp Supplied	No	38. Plug Type and Colour	-
17. Dimmable?	Dependent on lamps used	39. Earth arrangement	Earth tag inside ceiling rose
18. Lumen Output & Colour Temp	-	40. Product Weight (kg)	3.81
19. Overall Width/Diameter (mm)	456	41. Carton Dimensions (mm)	495 x 495 x 362
20. Fitting Height (mm)	253	42. Gross Weight (kg)	5.66
21. Overall Depth (mm)	253	43. Notes 1	-
22. Minimum Drop	-	44. Notes 2	-